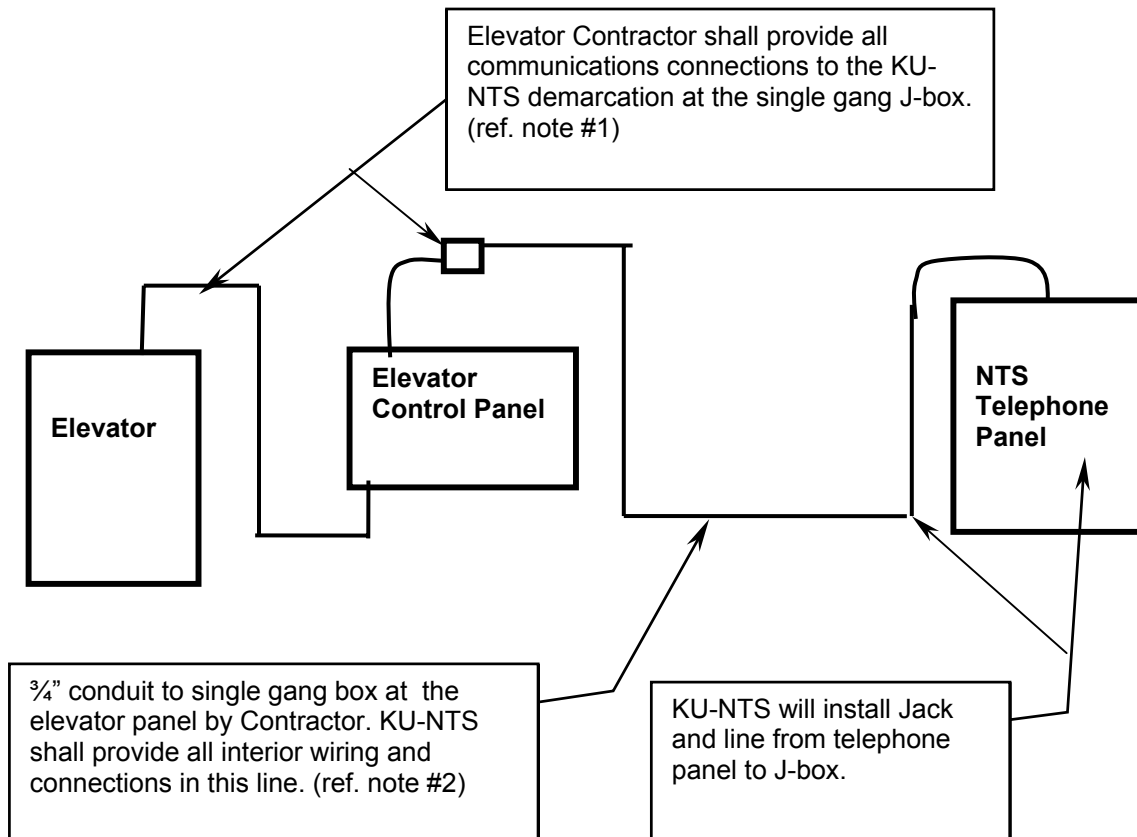


# A14.1 Elevator Telephones

**General:** Designers shall include this diagram on the Contract Documents, to help clarify the responsible parties for various parts of these systems. Edit as necessary to identify specific room numbers and elevator numbers for the specific project.



(1) Elevator Contractor shall provide and install the telecommunications cable from the elevator cab to the elevator equipment room and modify or add a control panel that is capable of accepting this device. The Elevator Contractor shall install an NTS-provided telephone cable from the elevator control panel to the NTS-provided phone jack in the single gang box noted above.

(2) The Electrical Contractor shall install a 3/4" conduit from the main NTS telecommunications panel to the elevator equipment room to near the elevator control panel. Pull boxes must be installed after every 180 degree change in direction. All bends must be sweeping bends. In the elevator equipment room, terminate conduit in a deep single gang box. At top of telecommunications panel, terminate conduit with bushing.